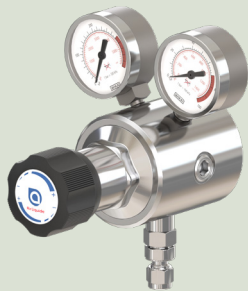


LINJE~~POS=TRUNC REGULATO- RER DLM-L 300-50-100



- Regulator - Single scenen
- Montering på ledningsnettets eller gass panel
- Egnet for rene gasser
- Forkrommet messing

Laboratorier og analyse, Industrial Process

Domains of applications

Designed for implementation of:

Ikke-etsende rene gasser opp til N60 inkludert ALPHAGAZ™ 1 & 2, Ikke-korrosive gasser med konsentrasjon som er større enn 1 ppm

Except:

hydrokarboner

Specifications

Maximal inlet pressure at 15°C 300 bar
Outlet Pressure 5 til 50 bar
Nominal nitrogen flow 100 Nm³/h*
Set pressure 62 bar

Intern / ekstern lekkasjerate ≤ 1x10⁻⁷ mbar.l / s helium., Driftstemperatur: -20 ° C til + 50 ° C.

* Nominell tilførsel av nitrogen ved 15 ° C.

Materials

Body Forkrommet messing
Seat Messing
Main valve Brass PCTFE belagt
Diaphragm Rustfritt stål / Hastelloy®
Filter sintret bronse
Kobber legering mekanisme, Ø
Pressure gauge 50mm, Forsegle i PA 6.6
Seal i EPDM, Poppet i messing,
Relief valve Body i 303 rustfritt stål

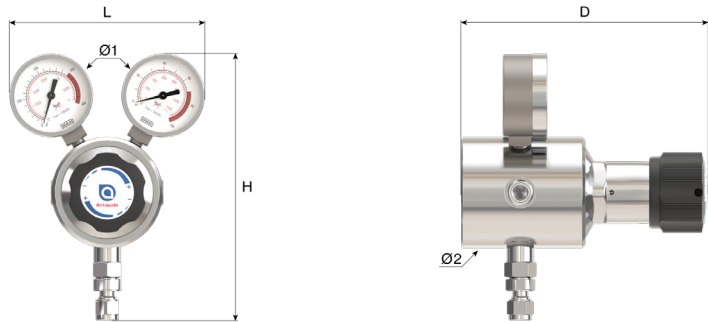
Hastelloy® er et registrert varemerke for Haynes International, Inc.

Safety Alert

⚠ Forsiktighet! Ved bruk av brennbare gasser, skal alle purge og overløpsventiler samles opp.

Dimensions

- Length (L)** : 120 mm
- Height (H)** : 120 mm
- Depth (D)** : 199 mm
- Ø1** : 50 mm
- Ø2** : 65 mm
- Net weight** : 2.6 kg



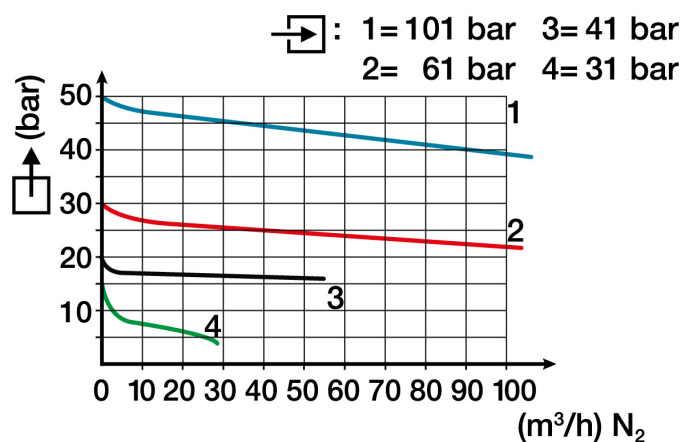
Operating instructions

OP 250 - DLM-L

Connection

- Inlet connection:** En innløpsport Ø 16 x 1,336 SI hunn
- Outlet connection:** 2 utløpsporter G 3/8 BSPP hunn
- Relief valve connection:** Cr-messing Kompresjons montering 6mm, messing Ferrules

Flow curve




Products

Product Number	Short Designation	Gas	Inlet Pressure	Outlet Pressure	Flow	Inlet Fitting	Outlet Fitting	Material
152829	REG DLM 300-50-100	Rene gasser	300 bar	50 bar	100 Nm³/h	Ø 16x1.336 SI hunn	G 3/8 BSPP kvinnelig	Cr-Brass

Options

	Product Number	Long designation		Product Number	Long designation
	16516	CONN. G3/8 BSPP M NIP. F/PIPE Ø 4-6MM		16526	Connector Cr-Brass G3/8 BSPP Male *Compression fitting 8mm OD Brass *Flat seal PTCFE
	16521	Connector Cr-Brass G3/8 BSPP Male *Compression fitting 1/8" OD Brass *Flat seal PTCFE		16558	Connector SS G3/8 BSPP Male *Compression fitting 6mm OD SS *Flat seal PTCFE
	16522	CONNECTION G 3/8" Male Compression Fitting 6 MM Br		16562	COMP. FITTING G3/8" 8 MM SS
	16523	Connector Cr-Brass G3/8 BSPP Male *Compression fitting 1/4" OD Brass *Flat seal PTCFE		16566	Connector SS G3/8 BSPP Male *Compression fitting 1/8" OD SS *Flat seal PTCFE
	16524	Connector Cr-Brass G3/8 BSPP Male *Compression fitting 10mm OD Brass *Flat seal PTCFE		16567	Connector SS G3/8 BSPP Male *Compression fitting 10mm OD SS *Flat seal PTCFE

	Product Number	Long designation
	16569	Connector SS G3/8 BSPP Male *Compression fitting 12mm OD SS *Flat seal PTFE
	19286	Connection G3/8 BSPP M NIP. Ø 8-10MM BR