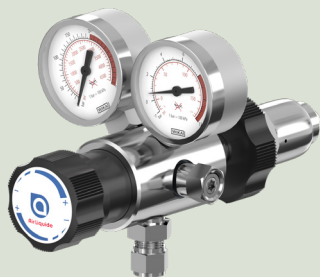


REGULATORER

AHL 200-8-15



- Høytrykksregulator - Single scenen
- Montering på 200 bar gassflaske - tilbake oppføring
- Egnet for rene gasser og blandinger, ikke etsende
- Forkrommet messing

Laboratorier og analyse, Apotek, Industrial Process

Domains of applications

Designed for implementation of:

Å skape beskyttende og behandle gassatmosfære

Except:

hydrokarboner

Specifications

Maximal inlet pressure at 15°C 200 bar
Outlet Pressure 1 til 8 bar
Nominal nitrogen flow 15 Nm³/h*
Set pressure 11 bar

Tasso di fuga interno / esterno $\leq 3 \times 10^{-7}$ mbar.l/s di elio., Driftstemperatur: -20 ° C til + 50 ° C.

*garantert ved maksimalt utløpstrykk P2 opp til et innløpstrykk P3 = 2P2 + 1 bar.

Materials

Body Forkrommet messing
Seat Messing
Main valve Brass PCTFE belagt
Diaphragm Rustfritt stål
Filter Monel® 400
Kobber legering mekanisme, Ø
Pressure gauge 50mm, Forsegle i PA 6.6
Seal i EPDM, Poppet i rustfritt stål,
Relief valve Body i 303 rustfritt stål

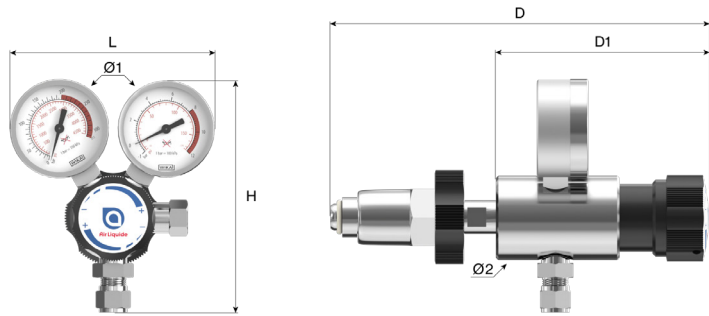
Monel® er et varemerke for Special Metals Corporation.

Safety Alert

⚠ Forsiktighet! Ved bruk av brennbare gasser, skal alle purge og overløpsventiler samles opp.

Dimensions

Length (L) : 107 mm
Height (H) : 98 mm
Depth (D) : 185 mm
Ø1 : 50 mm
Ø2 : 45 mm
Net weight : 1.31 kg



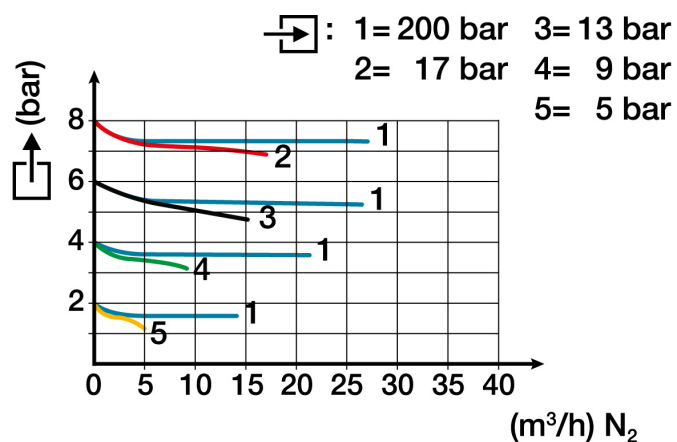
Operating instructions

OP 150 - AHL

Connection

Inlet connection: HP cylinder beslaget ifølge gass
Outlet connection: 2 utløpsporter G 3/8 BSPP hunn
Relief valve connection: Outlet port: G 1/4 BSPP kvinnelig

Flow curve



Products

Product Number	Short Designation	Gas	Inlet Pressure	Outlet Pressure	Flow	Inlet Fitting	Inlet Fitting Form	Outlet Fitting	Material
122788	REG AHL 200-8-15 DIN 14 - CF 6MM	Ikke-reaktiv blanding	200 bar	8 bar	15 Nm³/h	DIN 477-1 Nr. 14	Wrench Cr-Brass	CF 6mm	Cr-Brass
122784	REG AHL 200-8-15 DIN 6 - CF 6MM	CO2, O2	200 bar	8 bar	15 Nm³/h	DIN 477-1 Nr. 6	Wrench Cr-Brass	CF 6mm	Cr-Brass
122786	REG AHL 200-8-15 DIN 1 - CF 6MM	H2	200 bar	8 bar	15 Nm³/h	DIN 477-1 Nr. 1		CF 6mm	Cr-Brass
122782	REG AHL 200-8-15 DIN 10 - CF 6MM	He, N2, Ar	200 bar	8 bar	15 Nm³/h	DIN 477-1 Nr. 10	Wrench Cr-Brass	CF 6mm	Cr-Brass
122790	REG AHL 200-8-15 DIN 13 - CF 6MM	Luft	200 bar	8 bar	15 Nm³/h	DIN 477-1 Nr. 1. 3	Wrench Cr-Brass	CF 6mm	Cr-Brass
193366	REG AHL 200-8-15 DIN 10	He, N2, Ar	200 bar	8 bar	15 Nm³/h	DIN 477-1 Nr. 10		G 3/8 BSPP kvinnelig	Cr-Brass
193367	REG AHL 200-8-15 DIN 6	CO2, O2	200 bar	8 bar	15 Nm³/h	DIN 477-1 Nr. 6	Wrench Cr-Brass	G 3/8 BSPP kvinnelig	Cr-Brass
193368	REG AHL 200-8-15 DIN 1	H2	200 bar	8 bar	15 Nm³/h	DIN 477-1 Nr. 1		G 3/8 BSPP kvinnelig	Cr-Brass
193370	REG AHL 200-8-15 DIN 13	Luft	200 bar	8 bar	15 Nm³/h	DIN 477-1 Nr. 1. 3		G 3/8 BSPP kvinnelig	Cr-Brass
193369	REG AHL 200-8-15 DIN 14	Ikke-reaktiv blanding	200 bar	8 bar	15 Nm³/h	DIN 477-1 Nr. 14	Wrench Cr-Brass	G 3/8 BSPP kvinnelig	Cr-Brass

Options

	Product Number	Long designation
	16516	CONN. G3/8 BSPP M NIP. F/PIPE Ø 4-6MM
	16521	Connector Cr-Brass G3/8 BSPP Male *Compression fitting 1/8" OD Brass *Flat seal PTCFE
	16522	CONNECTION G 3/8" Male Compression Fitting 6 MM Br
	16523	Connector Cr-Brass G3/8 BSPP Male *Compression fitting 1/4" OD Brass *Flat seal PTCFE
	16524	Connector Cr-Brass G3/8 BSPP Male *Compression fitting 10mm OD Brass *Flat seal PTCFE
	16526	Connector Cr-Brass G3/8 BSPP Male *Compression fitting 8mm OD Brass *Flat seal PTCFE
	16532	Connector SS G3/8 BSPP Male *Kit N°2 CF 1/8" and 6mm OD SS *Flat seal PTCFE

	Product Number	Long designation
	16558	Connector SS G3/8 BSPP Male *Compression fitting 6mm OD SS *Flat seal PTCFE
	16562	COMP. FITTING G3/8" 8 MM SS
	16566	Connector SS G3/8 BSPP Male *Compression fitting 1/8" OD SS *Flat seal PTCFE
	16567	Connector SS G3/8 BSPP Male *Compression fitting 10mm OD SS *Flat seal PTCFE
	16569	Connector SS G3/8 BSPP Male *Compression fitting 12mm OD SS *Flat seal PTCFE
	19207	LEAK DETECTOR "1000 BULLES"
	19286	Connection G3/8 BSPP M NIP. Ø 8-10MM BR

Spare parts

Product Number		Long designation
122788	15969	PRESSURE GAUGE 0- 200/315 Bar Ø 50mm Vertical Entry M10x1 Brass-Cr - Body S.Steel
	15999	PRESSURE GAUGE (-1) - 5 Bar Ø 50mm Lateral Entry
	17141	FLAT SEAL in PTCFE 14,5x10x2 for outlet port G3/8
	29053	FLAT SEAL in PA 6.6 20x12x2
	29226	FLAT SEAL in PTCFE (Kel-F®) 16x9,2x2
122784	16001	Manometer -1 + 8 + 12 bar Ø50 vertikal M10x1
	17141	FLAT SEAL in PTCFE 14,5x10x2 for outlet port G3/8
	167800	KIT of Seals flat PA 6.6 for manometer M10x1 (2 s
122786	15969	PRESSURE GAUGE 0- 200/315 Bar Ø 50mm Vertical Entry M10x1 Brass-Cr - Body S.Steel
	15999	PRESSURE GAUGE (-1) - 5 Bar Ø 50mm Lateral Entry
	17141	FLAT SEAL in PTCFE 14,5x10x2 for outlet port G3/8
	17203	FLAT SEAL in PTCFE 18x11,8x2 for inlet connection
	29053	FLAT SEAL in PA 6.6 20x12x2
122782	15969	PRESSURE GAUGE 0- 200/315 Bar Ø 50mm Vertical Entry M10x1 Brass-Cr - Body S.Steel
	17141	FLAT SEAL in PTCFE 14,5x10x2 for outlet port G3/8
	29053	FLAT SEAL in PA 6.6 20x12x2
	167800	KIT of Seals flat PA 6.6 for manometer M10x1 (2 s

Product Number		Long designation
122790	17141	FLAT SEAL in PTCFE 14,5x10x2 for outlet port G3/8
	18552	PRESSURE GAUGE 0-25 Bar Ø 50mm Vertical Entry G1/4
	29053	FLAT SEAL in PA 6.6 20x12x2
	29187	PACKNING 18X11,8X2 MM NYLON (Bag of 10)
	167800	KIT of Seals flat PA 6.6 for manometer M10x1 (2 s
193366	17141	FLAT SEAL in PTCFE 14,5x10x2 for outlet port G3/8
	29053	FLAT SEAL in PA 6.6 20x12x2
	167800	KIT of Seals flat PA 6.6 for manometer M10x1 (2 s
193367	16001	Manometer -1 + 8 + 12 bar Ø50 vertikal M10x1
	17141	FLAT SEAL in PTCFE 14,5x10x2 for outlet port G3/8
	167800	KIT of Seals flat PA 6.6 for manometer M10x1 (2 s
193368	16001	Manometer -1 + 8 + 12 bar Ø50 vertikal M10x1
	17141	FLAT SEAL in PTCFE 14,5x10x2 for outlet port G3/8
	17203	FLAT SEAL in PTCFE 18x11,8x2 for inlet connection
	167800	KIT of Seals flat PA 6.6 for manometer M10x1 (2 s
193370	16001	Manometer -1 + 8 + 12 bar Ø50 vertikal M10x1
	17141	FLAT SEAL in PTCFE 14,5x10x2 for outlet port G3/8

Product Number		Long designation
193370	29187	PACKNING 18X11,8X2 MM NYLON (Bag of 10)
	167800	KIT of Seals flat PA 6.6 for manometer M10x1 (2 s)
193369	16001	Manometer -1 + 8 + 12 bar Ø50 vertikal M10x1
	17141	FLAT SEAL in PTCFE 14,5x10x2 for outlet port G3/8
	29226	FLAT SEAL in PTCFE (Kel-F®) 16x9,2x2
	167800	KIT of Seals flat PA 6.6 for manometer M10x1 (2 s)