

# LINJE~~POS=TRUNC REGULATO- RER

## DCN100 AG 50-18-125



- Linje regulator - Single scenen
- Montering på ledningsnett
- Egnet for industrigasser
- Laget av forniklet messing

Industrial Process

### Domains of applications

Designed for implementation of:  
industrigasser, metan

### Specifications

Maximal inlet pressure at 15°C ..... 50 bar  
Outlet Pressure..... 1 til 18 bar  
Nominal nitrogen flow ..... 125 Nm<sup>3</sup>/h\*  
Driftstemperatur: -20 ° C til + 50 ° C.  
\* Nominell tilførsel av nitrogen ved 15 ° C.

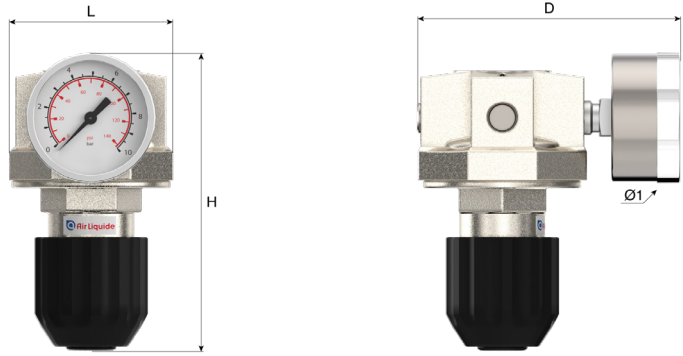
### Materials

Body ..... Forniklet messing  
Seat ..... Messing  
Main valve..... Brass EPDM belagt  
Diaphragm ..... NBR  
Filter ..... Monel®  
Kobber legering mekanisme, Ø  
Pressure gauge ..... 50mm  
Seal ..... Kobber, EPDM

Monel® er et varemerke for Special Metals Corporation.

# Dimensions

**Length (L)** : 55 mm  
**Height (H)** : 116 mm  
**Depth (D)** : 93.5 mm  
**Ø1** : 50 mm  
**Net weight** : 0.8 kg



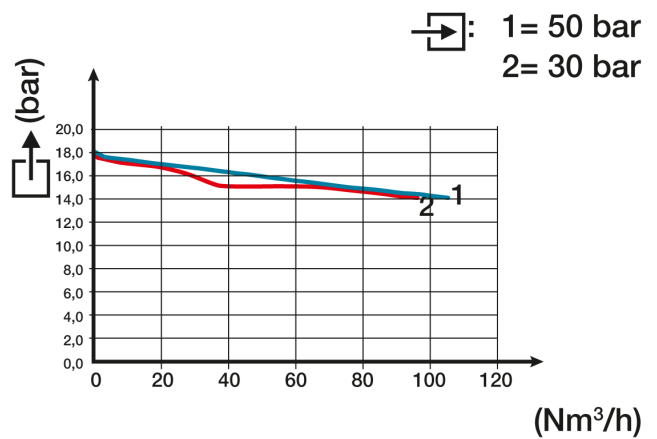
# Operating instructions

OP 212 - DCn100

# Connection

**Inlet connection:** 1 innløpsport G 1/4 BSPP hunn  
**Outlet connection:** 1 uttakSPORT G 1/4 BSPP hunn

# Flow curve



# Products

Product Number	Short Designation	Gas	Inlet Pressure	Outlet Pressure	Flow	Inlet Fitting	Outlet Fitting	Material
153718	REG DCN100 AG 50-18-125	Luft, CO <sub>2</sub> , inerte gasser, H <sub>2</sub> , N <sub>2</sub> O, O <sub>2</sub>	50 bar	18 bar	125 Nm <sup>3</sup> /h	G 1/4 BSPP F	G 1/4 BSPP F	Messing

# Spare parts

Product Number	Long designation
153718	160142 P. GAUGE 25 Bar Ø 50 G1/4" M back entry Stainless
	160144 KIT Inlet / Outlet for DCn100 (Inlet Seal + Filter)