

# LINJE~~POS=TRUNC REGULATO- RER

## DCN800 C2H2 1.5-1.4-32



- Linje regulator - Single scenen
- Montering på ledningsnettet
- Egnet for industrigasser
- Laget av forniklet messing

Industrial Process

### Domains of applications

Designed for implementation of:  
Industrial acetylen

### Specifications

Maximal inlet pressure at 15°C ..... 1.5 bar  
Outlet Pressure..... 0,2 til 1,4 bar  
Nominal nitrogen flow ..... 32 Nm<sup>3</sup>/h\*

Driftstemperatur: -20 ° C til + 50 ° C.

\* Nominell tilførsel av nitrogen ved 15 ° C.

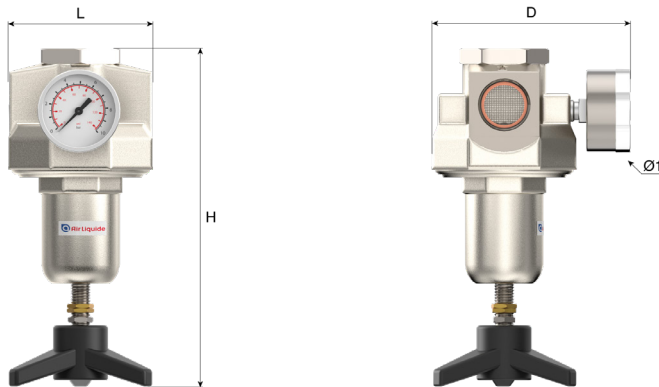
### Materials

Body ..... Forniklet messing  
Seat ..... Messing  
Main valve..... Brass EPDM belagt  
Diaphragm ..... NBR  
Filter ..... Monel®  
Kobber legering mekanisme, Ø  
Pressure gauge ..... 50mm  
Seal ..... Aluminium, EPDM

Monel® er et varemerke for Special Metals Corporation.

# Dimensions

**Length (L)** : 94 mm  
**Height (H)** : 218 mm  
**Depth (D)** : 127 mm  
**Ø1** : 50 mm  
**Net weight** : 2.5 kg



# Operating instructions

OP 212 - DCn800

# Connection

**Inlet connection:** En innløpsport G 1" hunn

**Outlet connection:** En utløpsport G 1" hunn

# Products

Product Number	Short Designation	Gas	Inlet Pressure	Outlet Pressure	Flow	Inlet Fitting	Outlet Fitting	Material
18136	REG DCN800 C2H2 1,5-1,4-32	C2H2	1,5 bar	1,4 bar	32 Nm <sup>3</sup> /h	G 1 BSPP F	G 1 BSPP F	Messing

# Spare parts

Product Number		Long designation
18136	18542	Pressure Gauge 0-2,5 Bar Ø 50mm Back entry G1/4 C2H2