

LINJE~~POS=TRUNC REGULATO- RER

DCN800 AG 50-2.6-200



- Linje regulator - Single scenen
- Montering på ledningsnett
- Egnet for industrigasser
- Laget av forniklet messing

Industrial Process

Domains of applications

Designed for implementation of:
industrigasser, metan

Specifications

Maximal inlet pressure at 15°C 50 bar
Outlet Pressure..... 0,5 til 2,6 bar
Nominal nitrogen flow 200 Nm³/h*

Driftstemperatur: -20 ° C til + 50 ° C.

* Nominell tilførsel av nitrogen ved 15 ° C.

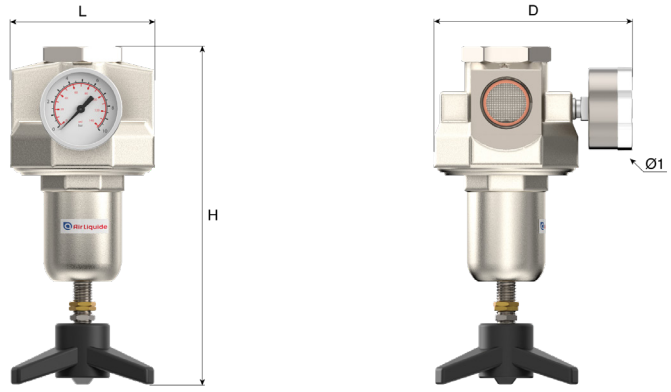
Materials

Body Forniklet messing
Seat Messing
Main valve..... Brass EPDM belagt
Diaphragm NBR
Filter Monel®
Kobber legering mekanisme, Ø
Pressure gauge 50mm
Seal Kobber, EPDM

Monel® er et varemerke for Special Metals Corporation.

Dimensions

Length (L) : 94 mm
Height (H) : 218 mm
Depth (D) : 127 mm
Ø1 : 50 mm
Net weight : 2.5 kg



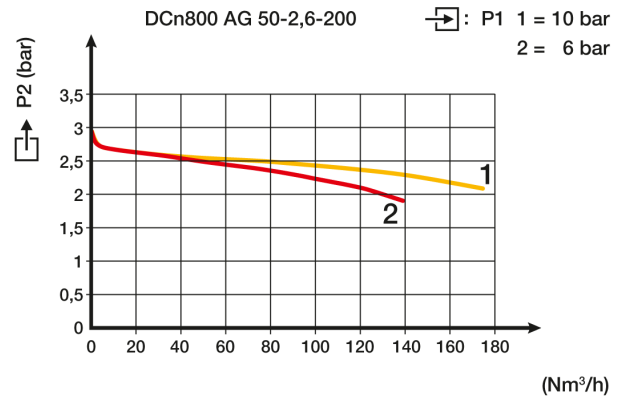
Operating instructions

OP 212 - DCn800

Connection

Inlet connection: En innløpsport G 1" hunn
Outlet connection: En utløpsport G 1" hunn

Flow curve



Products

Product Number	Short Designation	Gas	Inlet Pressure	Outlet Pressure	Flow	Inlet Fitting	Outlet Fitting	Material
153738	REG DCn800 AG 50-2,6-200	Luft, CO2, inerte gasser, H2, O2	50 bar	2.6 bar	200 Nm³/h	G 1 BSPP F	G 1 BSPP F	Messing

Spare parts

Product Number	Long designation
153738	18516 Pressure Gauge 0-4 Bar Back entry G1/4 for DC