

LINJE~~POS=TRUNC REGULATO- RER

DCN100 AG 50-6-57



- Linje regulator - Single scenen
- Montering på ledningsnett
- Egnet for industrigasser
- Laget av forniklet messing

Industrial Process

Domains of applications

Designed for implementation of:
industrigasser, metan

Specifications

Maximal inlet pressure at 15°C 50 bar
Outlet Pressure..... 0,8 til 6 bar
Nominal nitrogen flow 57 Nm³/h*

Driftstemperatur: -20 ° C til + 50 ° C.

* Nominell tilførsel av nitrogen ved 15 ° C.

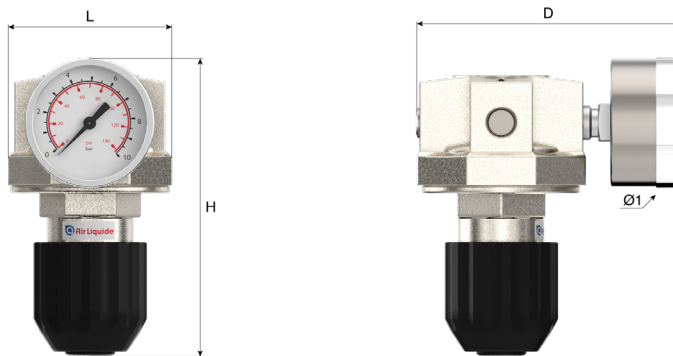
Materials

Body Forniklet messing
Seat Messing
Main valve..... Brass EPDM belagt
Diaphragm NBR
Filter Monel®
Kobber legering mekanisme, Ø
Pressure gauge 50mm
Seal Kobber, EPDM

Monel® er et varemerke for Special Metals Corporation.

Dimensions

Length (L) : 55 mm
Height (H) : 116 mm
Depth (D) : 93.5 mm
Ø1 : 50 mm
Net weight : 0.8 kg



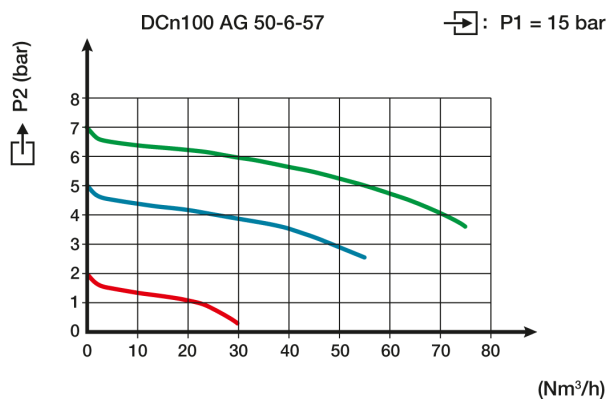
Operating instructions

OP 212 - DCn100

Connection

Inlet connection: 1 innløpsport G 1/4 BSPP hunn
Outlet connection: 1 uttaksport G 1/4 BSPP hunn

Flow curve



Products

Product Number	Short Designation	Gas	Inlet Pressure	Outlet Pressure	Flow	Inlet Fitting	Outlet Fitting	Material
153720	REG DCn100 AG 50-6-57	Luft, CO2, inerte gasser, H2, N2O, O2	50 bar	6 bar	57 Nm³/h	G 1/4 BSPP F	G 1/4 BSPP F	Messing

Spare parts

Product Number	Long designation
153720	18525 Pressure Gauge 0-10 Bar Ø 50mm Back entry G1/4 for DCn100, 300, 500/2 and 800/2 Brass-Cr
	160144 KIT Inlet / Outlet for DCn100 (Inlet Seal + Filter)