

LINJE~~POS=TRUNC REGULATO- RER

DCN500 TBP 10-0.7-100



- Linje regulator - Single scenen
- Montering på ledningsnettet
- Egnet for industrigasser
- Laget av forniklet messing

Industrial Process

Domains of applications

Designed for implementation of:
industrigasser, metan

Specifications

Maximal inlet pressure at 15°C 10 bar
Outlet Pressure..... 0,2 til 0,7 bar
Nominal nitrogen flow 100 Nm³/h*

Driftstemperatur: -20 ° C til + 50 ° C.

* Nominell tilførsel av nitrogen ved 15 ° C.

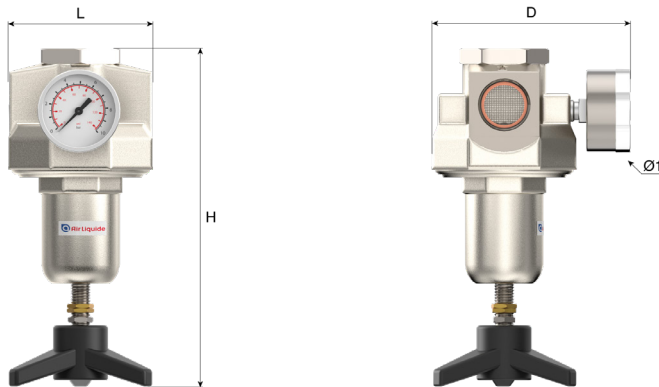
Materials

Body Forniklet messing
Seat Messing
Main valve..... Brass EPDM belagt
Diaphragm NBR
Filter Monel®
Kobber legering mekanisme, Ø
Pressure gauge 50mm
Seal Kobber, EPDM

Monel® er et varemerke for Special Metals Corporation.

Dimensions

Length (L) : 94 mm
Height (H) : 221 mm
Depth (D) : 127 mm
Ø1 : 50 mm
Net weight : 2.5 kg



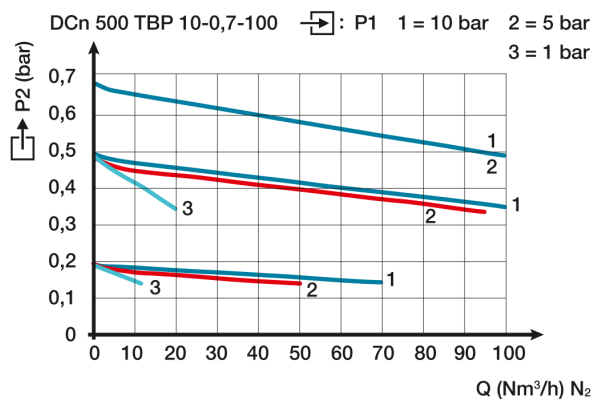
Operating instructions

OP 212 - DCn500

Connection

Inlet connection: En innløpsport G 3/4" hunn
Outlet connection: En utløpsport G 3/4" hunn

Flow curve



Products

Product Number	Short Designation	Gas	Inlet Pressure	Outlet Pressure	Flow	Inlet Fitting	Outlet Fitting	Material
18129	REG DCn500 low pressure 10-0,7	Luft, CO ₂ , inerte gasser, H ₂ , O ₂	10 bar	0.7 bar	100 Nm ³ /h	G 3/4 BSPP F	G 3/4 BSPP F	Messing

Spare parts

Product Number	Long designation
18129	18533 Pressure Gauge 0-1 Bar Ø 50mm Back entry G1/4 for DCn500 TBP Brass-Cr
	160144 KIT Inlet / Outlet for DCn100 (Inlet Seal + Filter)