

LINJE~~POS=TRUNC REGULATO- RER BD.S 27-4-3



- Linje regulator - Single scenen
- Montering på ledningsnettet, gass panel eller bruks-
stedet
- Egnet for rene gasser og blandinger, svakt etsende
- Laget av rustfritt stål

Laboratorier og analyse

Domains of applications

Designed for implementation of:

Litt korrosive gasser, Rene gasser opp til N60 inkludert ALPHA-
GAZ™ 1 & 2

Specifications

Maximal inlet pressure at 15°C 27 bar

Outlet Pressure..... 0,2 til 4 bar

Nominal nitrogen flow 3 Nm³/h*

Mulig vakuüm for sporadiske utblåsninger, Intern / ekstern lekkasjerate $\leq 2 \times 10^{-8}$
mbar.l / s helium, Driftstemperatur: -20 ° C til + 50 ° C.

* Nominell tilførsel av nitrogen ved 15 ° C.

Materials

Body 316 rustfritt stål

Seat PFA

Main valve..... 316 rustfritt stål

Diaphragm 316 rustfritt stål

Filter 316L rustfritt stål

Pressure gauge Rustfritt stål mekanisme, Ø 50mm

Seal PCTFE, PTFE

Dimensions

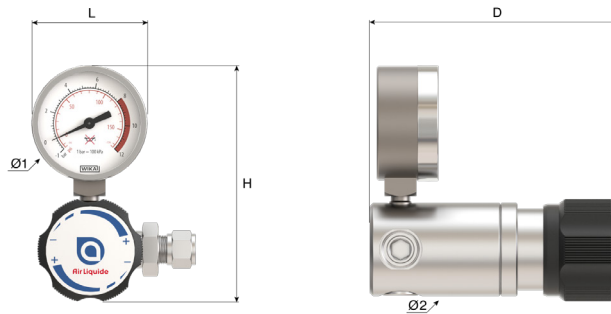
Height (H) : 100 mm

Depth (D) : 110 mm

Ø1 : 50 mm

Ø2 : 42 mm

Net weight : 0.9 kg



Operating instructions

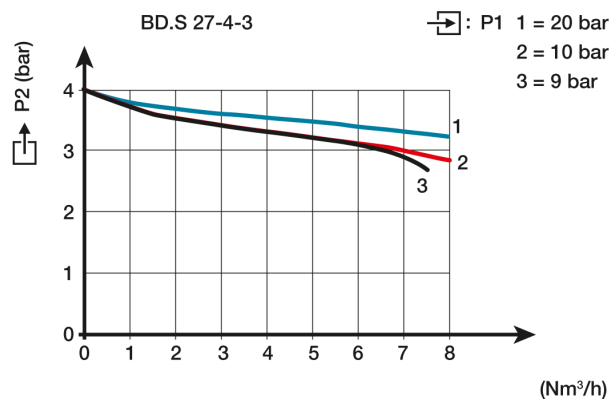
OP 250 - BD.S

Connection

Inlet connection: 2 innløpsporter G 3/8 BSPP hunn

Outlet connection: 2 utløpsporter G 3/8 BSPP hunn

Flow curve




Products

Product Number	Short Designation	Gas	Inlet Pressure	Outlet Pressure	Flow	Inlet Fitting	Outlet Fitting	Material
15851	REG BD.S 27-4-3	Korr. gasser, blandinger	27 bar	4 bar	3 Nm ³ /h	G 3/8 BSPP kvinnelig	G 3/8 BSPP kvinnelig	Rustfritt stål
15852	REG BD.S 27-4-3 CF 6MM - CF 6MM	Korr. gasser, blandinger	27 bar	4 bar	3 Nm ³ /h	CF 6mm	CF 6mm	Rustfritt stål
15853	REG BD.S 27-4-3 G3/8 AL M - CF 3/8"	Korr. gasser, blandinger	27 bar	4 bar	3 Nm ³ /h	G 3/8 BSPP M	CF 3/8"	Rustfritt stål
15854	REG BD.S 27-4-3 G3/8 AL M - KIT N°2	Korr. gasser, blandinger	27 bar	4 bar	3 Nm ³ /h	G 3/8 BSPP M	KIT N° 2	Rustfritt stål

Options

	Product Number	Long designation
	16558	Connector SS G3/8 BSPP Male *Compression fitting 6mm OD SS *Flat seal PTFE
	16562	COMP. FITTING G3/8" 8 MM SS

	Product Number	Long designation
	16566	Connector SS G3/8 BSPP Male *Compression fitting 1/8" OD SS *Flat seal PTFE
	16567	Connector SS G3/8 BSPP Male *Compression fitting 10mm OD SS *Flat seal PTFE

	Product Number	Long designation
	16569	Connector SS G3/8 BSPP Male *Compression fitting 12mm OD SS *Flat seal PTCFE

Spare parts

Product Number		Long designation
15851	16014	PRESSURE GAUGE (-1) - 6 Bar Ø 50mm Lateral Entry
	17141	FLAT SEAL in PTCFE 14,5x10x2 for outlet port G3/8
15852	16014	PRESSURE GAUGE (-1) - 6 Bar Ø 50mm Lateral Entry
	17141	FLAT SEAL in PTCFE 14,5x10x2 for outlet port G3/8
15853	16014	PRESSURE GAUGE (-1) - 6 Bar Ø 50mm Lateral Entry
	17141	FLAT SEAL in PTCFE 14,5x10x2 for outlet port G3/8
15854	16014	PRESSURE GAUGE (-1) - 6 Bar Ø 50mm Lateral Entry
	17141	FLAT SEAL in PTCFE 14,5x10x2 for outlet port G3/8