

LINJE~~POS=TRUNC REGULATO- RER

DCN300 AG 50-6-150



- Linje regulator - Single scenen
- Montering på ledningsnett
- Egnet for industrigasser
- Laget av forniklet messing

Industrial Process

Domains of applications

Designed for implementation of:
industrigasser, metan

Specifications

Maximal inlet pressure at 15°C 50 bar

Outlet Pressure..... 0,8 til 6 bar

Nominal nitrogen flow 150 Nm³/h*

Driftstemperatur: -20 ° C til + 50 ° C.

* Nominell tilførsel av nitrogen ved 15 ° C.

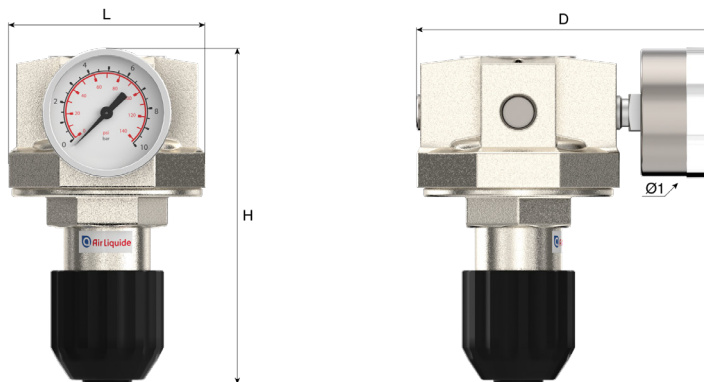
Materials

Body Forniklet messing
Seat Messing
Main valve..... Brass EPDM belagt
Diaphragm NBR
Filter Monel®
Kobber legering mekanisme, Ø
Pressure gauge 50mm
Seal Kobber, EPDM

Monel® er et varemerke for Special Metals Corporation.

Dimensions

Length (L) : 67 mm
 Height (H) : 134 mm
 Depth (D) : 102 mm
 Ø1 : 50 mm
 Net weight : 1.2 kg



Operating instructions

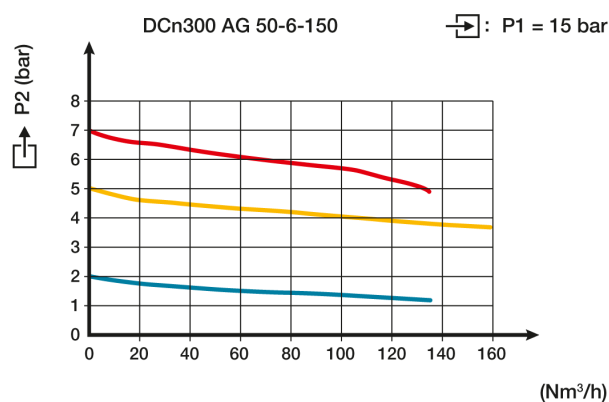
OP 212 - DCn300

Connection

Inlet connection: En innløpsport G 1/2" innvendig

Outlet connection: En utløpsport G 1/2" innvendig

Flow curve



Products

Product Number	Short Designation	Gas	Inlet Pressure	Outlet Pressure	Flow	Inlet Fitting	Outlet Fitting	Material
153734	REG DCn300 AG 50-6-150	Luft, CO ₂ , inerte gasser, H ₂ , O ₂	50 bar	6 bar	150 Nm³/h	G 1/2 F	G 1/2 BSPP kvinnelig	Messing

Spare parts

Product Number		Long designation
153734	18525	Pressure Gauge 0-10 Bar Ø 50mm Back entry G1/4 for DCn100, 300, 500/2 and 800/2 Brass-Cr