

LINJE~~POS=TRUNC REGULATO- RER

BD.S 27-10-7



- Linje regulator - Single scenen
- Montering på ledningsnettet, gass panel eller bruksstedet
- Egnet for rene gasser og blandinger, svakt etsende
- Laget av rustfritt stål

Laboratorier og analyse

Domains of applications

Designed for implementation of:

Litt korrosive gasser, Rene gasser opp til N60 inkludert ALPHA-GAZ™ 1 & 2

Specifications

Maximal inlet pressure at 15°C 27 bar

Outlet Pressure..... 0,5 til 10 bar

Nominal nitrogen flow 7 Nm³/h*

Mulig vakuüm for sporadiske utblåsninger, Intern / ekstern lekkasjerate ≤ 2x10⁻⁸ mbar.l / s helium, Driftstemperatur: -20 ° C til + 50 ° C.

* Nominell tilførsel av nitrogen ved 15 ° C.

Materials

Body 316 rustfritt stål

Seat PFA

Main valve..... 316 rustfritt stål

Diaphragm 316 rustfritt stål

Filter 316L rustfritt stål

Pressure gauge Rustfritt stål mekanisme, Ø 50mm

Seal PCTFE, PTFE

Dimensions

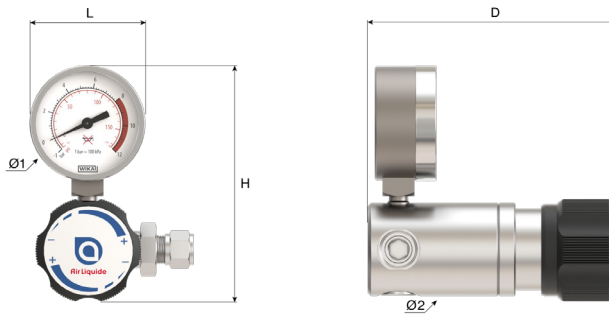
Height (H) : 100 mm

Depth (D) : 27 mm

Ø1 : 50 mm

Ø2 : 42 mm

Net weight : 0.9 kg



Operating instructions

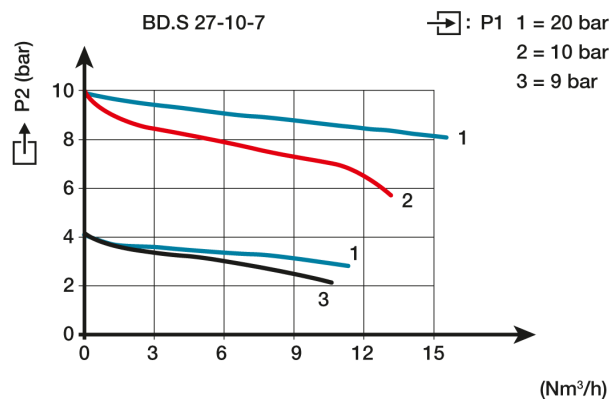
OP 250 - BD.S

Connection

Inlet connection: 2 innløpsporter G 3/8 BSPP hunn

Outlet connection: 2 utløpsporter G 3/8 BSPP hunn

Flow curve




Products

Product Number	Short Designation	Gas	Inlet Pressure	Outlet Pressure	Flow	Inlet Fitting	Outlet Fitting	Material
15855	REG BD.S 27-10-7	Korr. gasser, blandinger	27 bar	10 bar	7 Nm³/h	G 3/8 BSPP kvinnelig	G 3/8 BSPP kvinnelig	Rustfritt stål
15856	REG BD.S 27-10-7 CF 6MM - CF 6MM	Korr. gasser, blandinger	27 bar	10 bar	7 Nm³/h	CF 6mm	CF 6mm	Rustfritt stål
15857	REG BD.S 27-10-7 G3/8 AL M - CF 3/8"	Korr. gasser, blandinger	27 bar	10 bar	7 Nm³/h	G 3/8 BSPP M	CF 3/8"	Rustfritt stål
15858	REG BD.S 27-10-7 G3/8 AL M - KIT N°2	Korr. gasser, blandinger	27 bar	10 bar	7 Nm³/h	G 3/8 BSPP M	KIT N ° 2	Rustfritt stål

Options

Product Number	Long designation	Product Number	Long designation
16558	Connector SS G3/8 BSPP Male *Compression fitting 6mm OD SS *Flat seal PTCFE	16566	Connector SS G3/8 BSPP Male *Compression fitting 1/8" OD SS *Flat seal PTCFE
16562	COMP. FITTING G3/8" 8 MM SS	16567	Connector SS G3/8 BSPP Male *Compression fitting 10mm OD SS *Flat seal PTCFE

	Product Number	Long designation
	16569	Connector SS G3/8 BSPP Male *Compression fitting 12mm OD SS *Flat seal PTCFE

Spare parts

Product Number		Long designation
15855	16015	PRESSURE GAUGE (-1) - 15 Bar Ø 50mm Lateral Entry
	17141	FLAT SEAL in PTCFE 14,5x10x2 for outlet port G3/8
15856	16015	PRESSURE GAUGE (-1) - 15 Bar Ø 50mm Lateral Entry
	17141	FLAT SEAL in PTCFE 14,5x10x2 for outlet port G3/8
15857	16015	PRESSURE GAUGE (-1) - 15 Bar Ø 50mm Lateral Entry
	17141	FLAT SEAL in PTCFE 14,5x10x2 for outlet port G3/8
15858	16015	PRESSURE GAUGE (-1) - 15 Bar Ø 50mm Lateral Entry
	17141	FLAT SEAL in PTCFE 14,5x10x2 for outlet port G3/8